



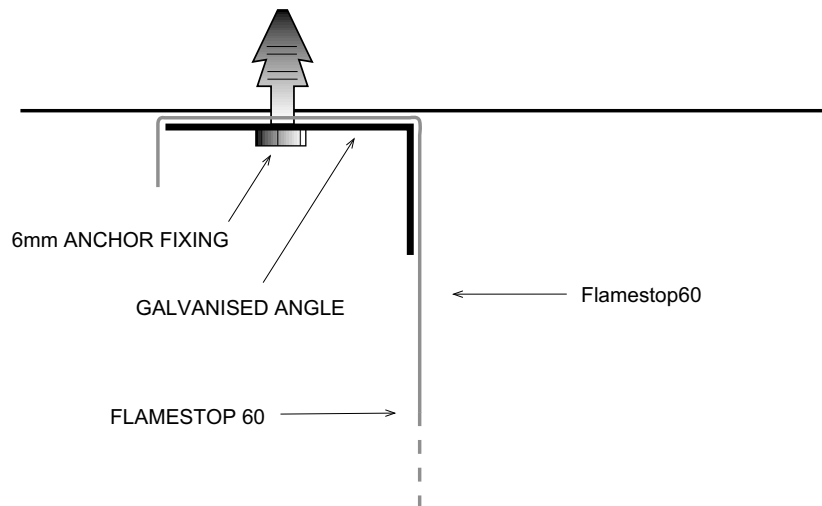
FLAMESTOP 60 - INSTALLATION INSTRUCTIONS

Top fix to concrete soffit

Fixing detail for 1 hour Barrier:

* Staple FlameStop Barrier together (shown separately) to required dimensions.

* Fix galvanised angle at 300mm centres using 6mm concrete anchor fixings, with FlameStop 60 Barrier between top of angle and concrete soffit. FlameStop 60 should extend beyond far edge of angle.

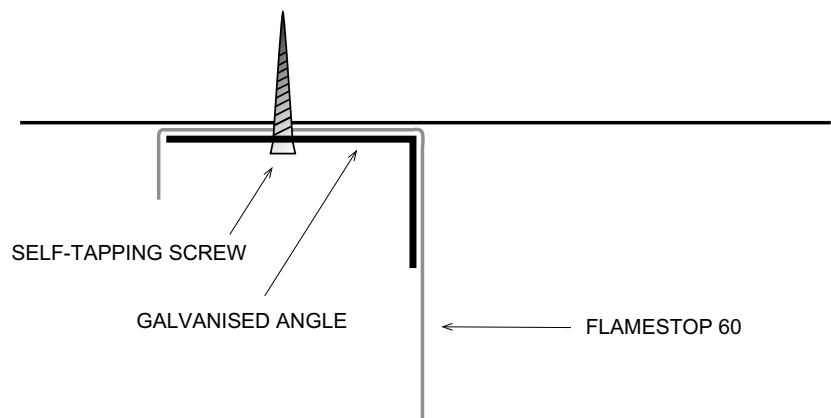


Note: Do not use plastic plugs and screens for fixing.

Fixing detail for 30 minutes Barrier:

* Staple FlameStop Barrier together (shown separately) to required dimensions.

* Fix galvanised angle at 600mm centres with self tapping concrete screws or 6mm anchor fixings, with FlameStop 60 Barrier between the angle and concrete soffit. The Barrier should extend beyond the far edge of angle.



Note: Do not use plastic plugs and screws for fixings.

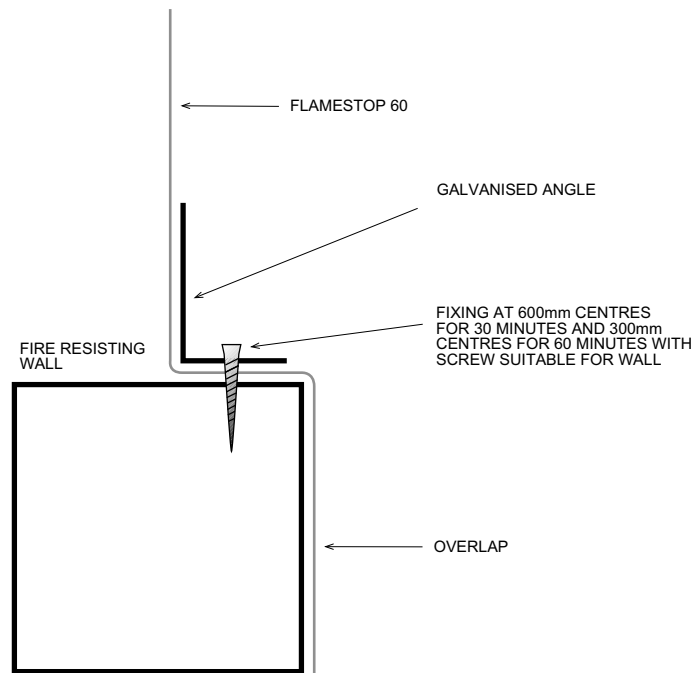


FLAMESTOP 60 - INSTALLATION INSTRUCTIONS continued

Fixing to a Fire Resistant Wall

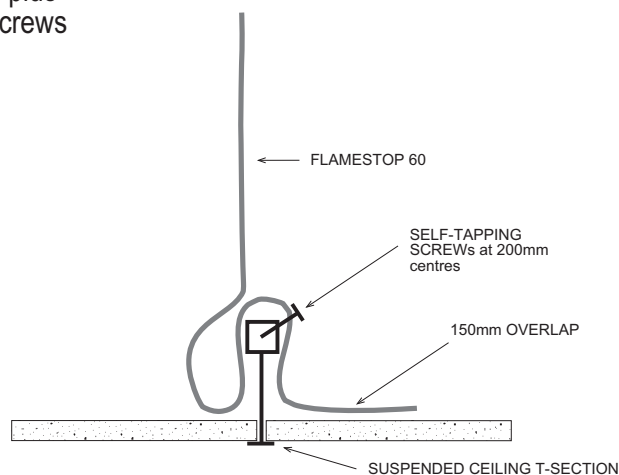
- * At the bottom allow a 100mm overlap.
- * Fix using galvanised angle secured at 600mm centres for 30mins and 300mm for 60mins.

Note: If insulation is required to comply with the building regulations, use Lancaster FIRESHIELD Total Comfort.



Fixing to a Suspended Ceiling

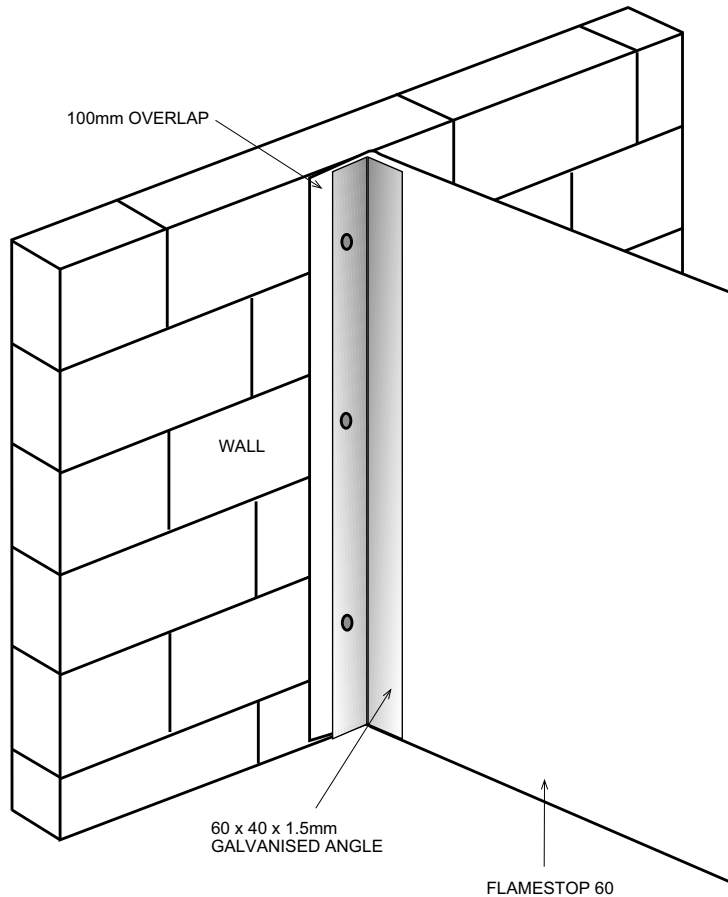
- * Ensure a 150mm lap onto the ceiling tile, plus sufficient barrier to allow the self-tapping screws to compress onto the exposed grid.





FLAMESTOP 60 - INSTALLATION INSTRUCTIONS continued

Side Fix



* With a 100mm overlap, fix the Flamestop barrier between the wall and angle.

* For a 30 minute barrier, fix at 600mm centres using self-drilling concrete screws or 6mm anchor fixings.

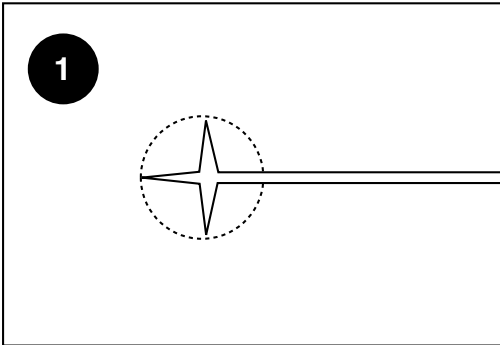
* For a 60 minute barrier, fix at 300mm centres using self-drilling concrete screws or 6mm anchor fixings.

NOTE!!

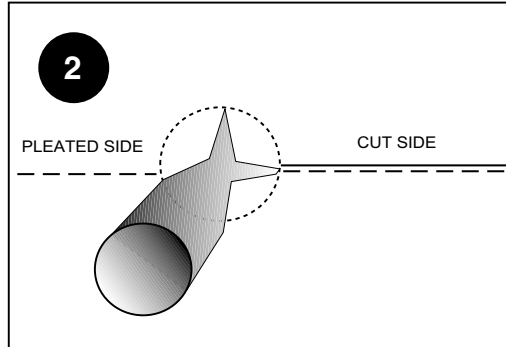
Do NOT use plastic plugs and screws for fixing

FLAMESTOP 60 - INSTALLATION INSTRUCTIONS continued

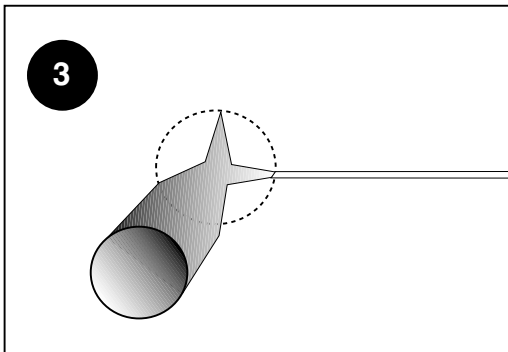
Feeding FlameStop around a penetration



* Cut a slot and feather circle into the barrier 50mm below the centre line of the penetration.



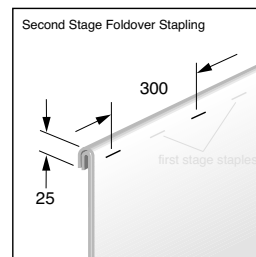
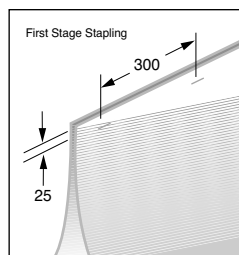
* Feed FlameStop around the penetration.



* Pull the edges of the slot together and seal using the double fold method - as used for the vertical seam.

* Pleat the uncut side by 50mm stapling at 200mm centres.

STAPLING FLAMESTOP



* Wrap the FlameStop collar around the penetration and staple the edges together tightly at 100mm centres using 8mm staples.

* Using 2 x 6mm beads of FlameStop High Temperature Adhesive, attach the flange to the barrier.

* Seal any visible gaps with FlameStop High Temperature Adhesive.

* Staple flange to the pleat and joint using a single staple for each.

Fitting a FlameStop Collar

