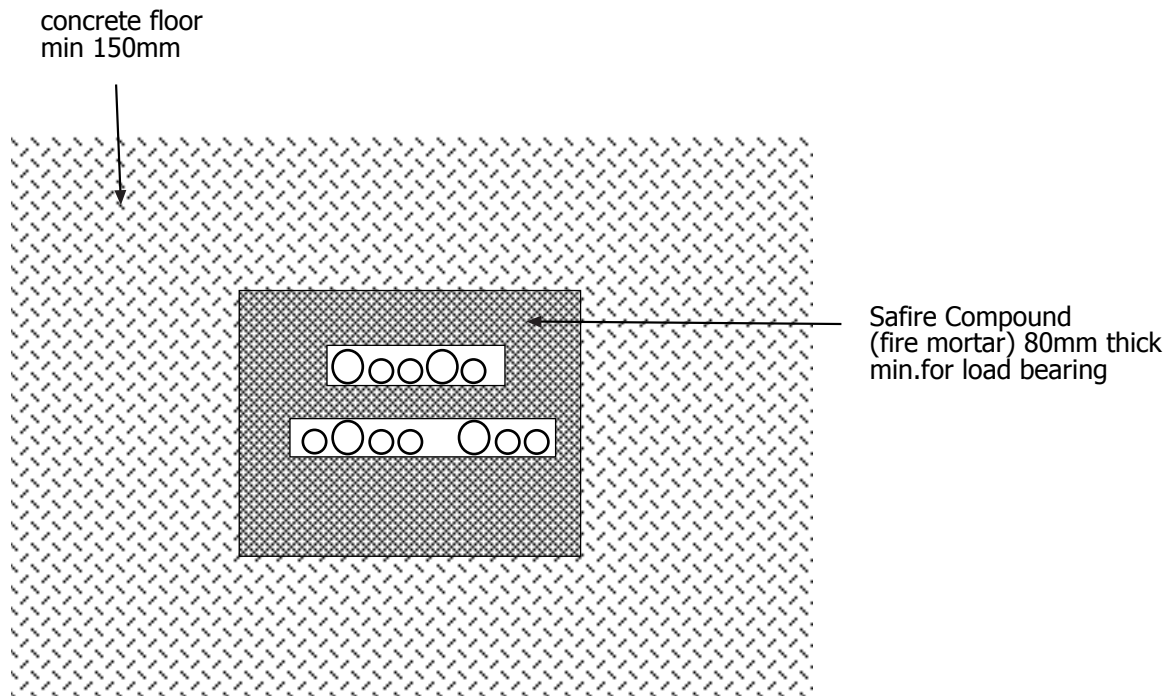
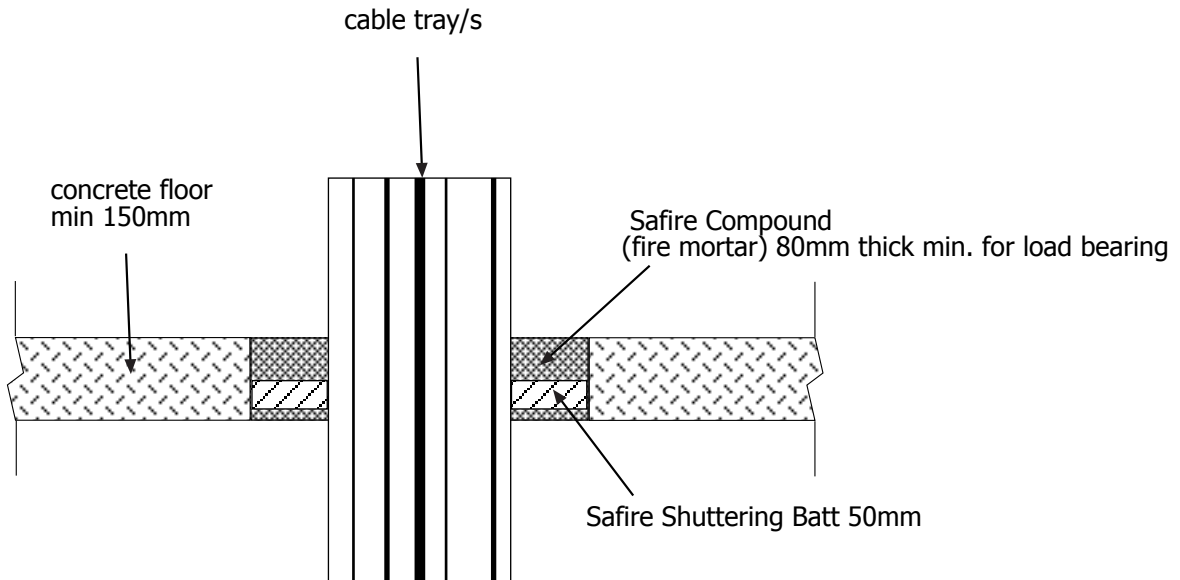




Suppliers of passive fire products,
acoustic and specialist insulation
Manufacturers of the Safire® Fire Stopping Range

SC01/2009

SAFIRE COMPOUND - cable/cabletrays, metal/copper pipe



Fireus Ltd.

Unit 6 Thetis Road, Lune Industrial Estate, Lancaster, LA1 5QP

Tel. 01524 388898 | Fax. 01524 383724 | Email. info@fireus.co.uk | Web. www.fireus.co.uk