

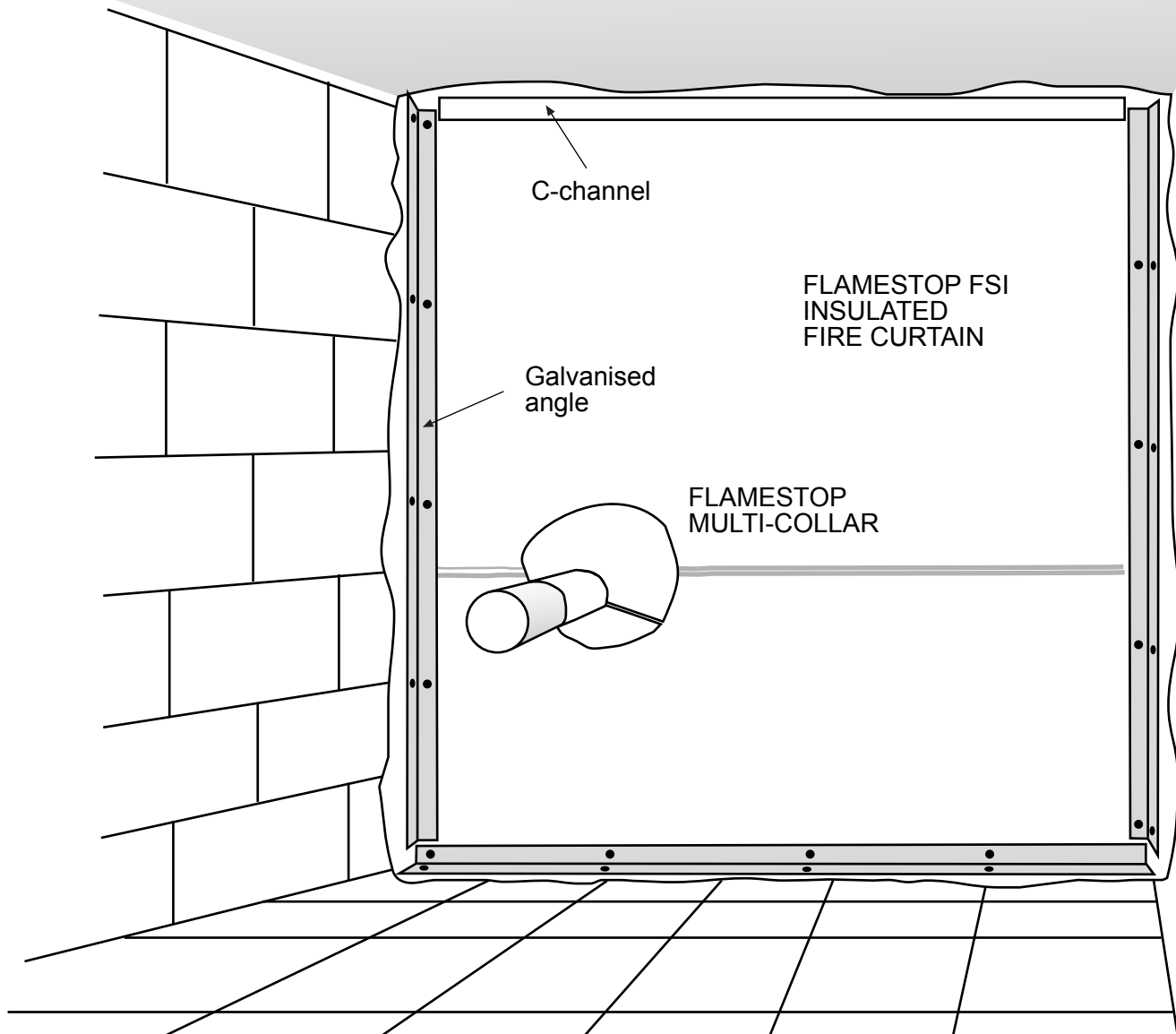


suppliers of passive fire products, acoustic and specialist insulation

---

## FLAMESTOP FSI - INSTALLATION INSTRUCTIONS

---



**Flamestop FSI is a 2hr rated insulated fire curtain and a major component of most fire stopping installations. It is important to install Flamestop FSI correctly for rated performance. Please refer to the details inside for specific applications and installation situations. If in any doubt please call our service centre on 01524 388898.**

---

### Fireus Ltd.

Unit 6 Thetis Road, Lune Industrial Estate, Lancaster, LA1 5QP

Tel. 01524 388898 Fax. 01524 383724 Web. [www.fireus.co.uk](http://www.fireus.co.uk) Email. [info@fireus.co.uk](mailto:info@fireus.co.uk)



---

## FLAMESTOP FSI - INSTALLATION - General Fitting

---

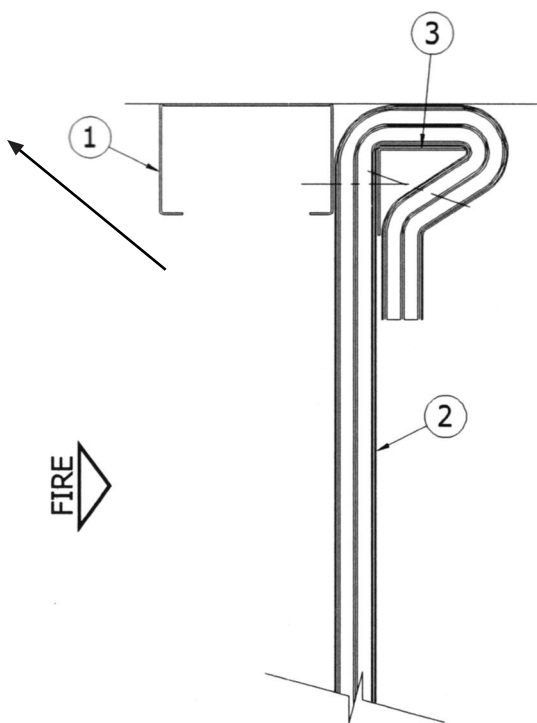
### 1. METALLING OUT

Where there is no substrate, frame out the opening where Flamestop FSI is to be installed with galvanised C-stud 50mm x 72mm.

Where a firm metal or concrete substrate exists, Flamestop FSI can be fixed directly using 25mm x 25mm (0.6mm gauge) galvanised angle. At the top fixing the overlap must be folded and fixed back to the angle at 600mm centres with self drilling screws.

### 2. FIXING

Fix Flamestop FSI to the metal frame using the following details:



TYPICAL SECTION  
THROUGH PERIMETER  
OF CURTAIN

- ① 50 x 72mm C-stud frame (0.55mm gauge) fixed to main building substrate at 250mm centres
- ② Flamestop FSI
- ③ 25mm x 25mm Galvanised Angle (0.6mm gauge)

#### TOP FIXING

Fold curtain back to cover angle.  
There must be a 100mm overlap at all top fixings where the heat stress may be greatest. Fix Flamestop FSI to the C-stud frame using the galv angle at 300mm centres. Fold back Flamestop over the galv angle and and fix fold back to galv angle at 600mm centres.

#### SIDE and BOTTOM FIXING

Fix directly to wall or substrate, trapping Flamestop FSI with 25mm x 25mm (0.6 gauge) galvanised angle. There must be a 100mm overlap at all side or bottom fixings. For best performance, fold back overlap and fix to angle using self drilling screws at 600m centres.



suppliers of passive fire products, acoustic and specialist insulation

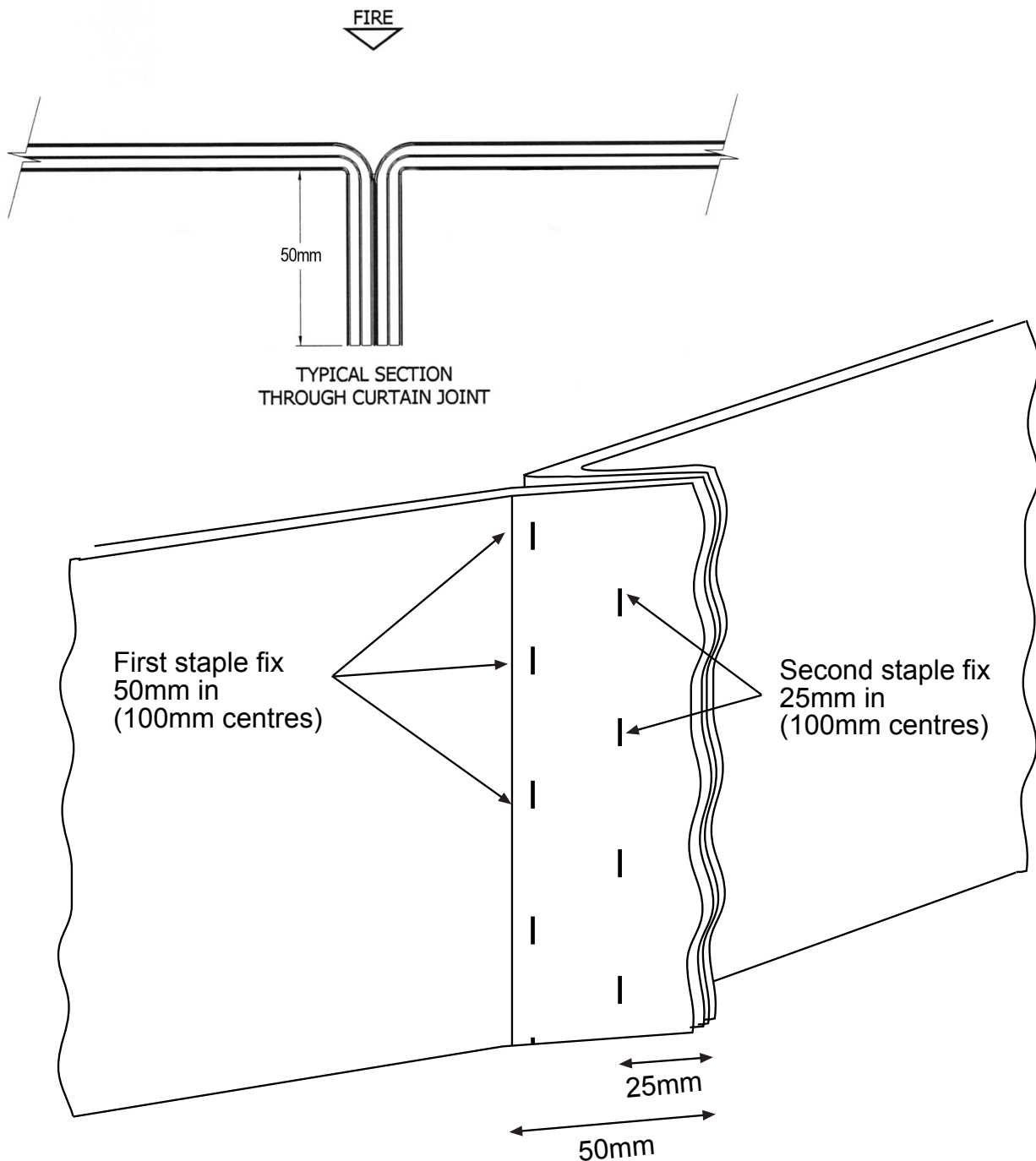
### 3. JOINTING

To join two pieces of Flamestop FSI, use the following details:

Ensure there is a fold of depth minimum 50mm overlap.

Staple at 100mm centres, 50mm in from the loose edge.

Staple again at 100mm centres, 25mm in from the loose edge.



---

#### Fireus Ltd.

Unit 6 Thetis Road, Lune Industrial Estate, Lancaster, LA1 5QP

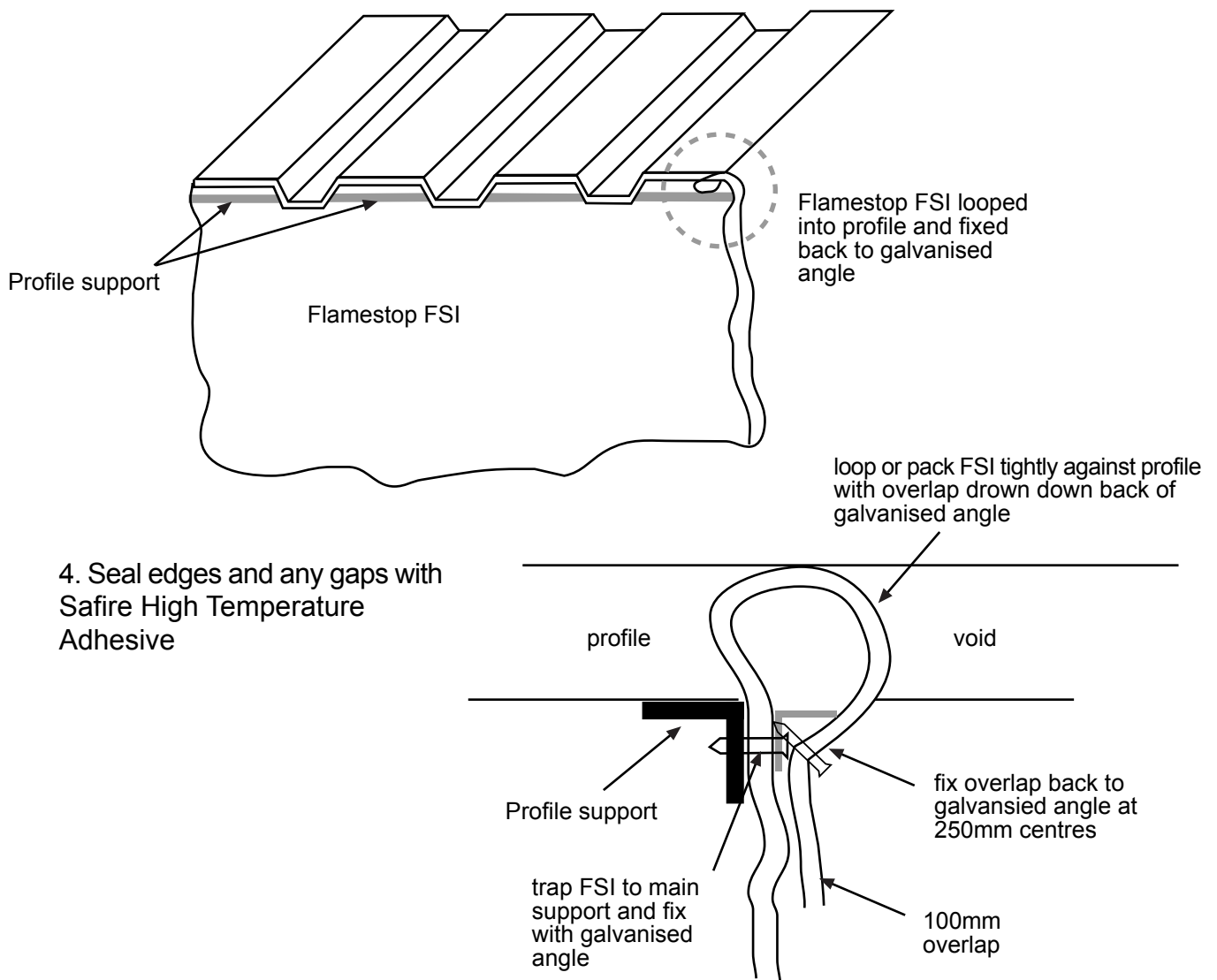
Tel. 01524 388898 Fax. 01524 383724 Web. [www.fireus.co.uk](http://www.fireus.co.uk) Email. [info@fireus.co.uk](mailto:info@fireus.co.uk)



#### 4. ROOF PROFILES

1. Where Flamestop FSI abutts against a trapezoidal roof profile, the profile void must be filled with a loop or packing of the Flamestop FSI material.
2. Measure the depth of the profile and allow an overlap approx 4x that depth beyond the fixing axis. Loop or pack the curtain tightly into the roof profile and fix the curtain to the main substrate using 25mm x 25mm (0.6 gauge) galvanised angle.
3. Ensuring the Flamestop FSI fills the profile void, bring the overlap back down with at least 100mm overlap beneath the galvanised angle.

Fix the Flamestop FSI back to the angle using self drilling screws at 250mm centres.



#### Fireus Ltd.

Unit 6 Thetis Road, Lune Industrial Estate, Lancaster, LA1 5QP

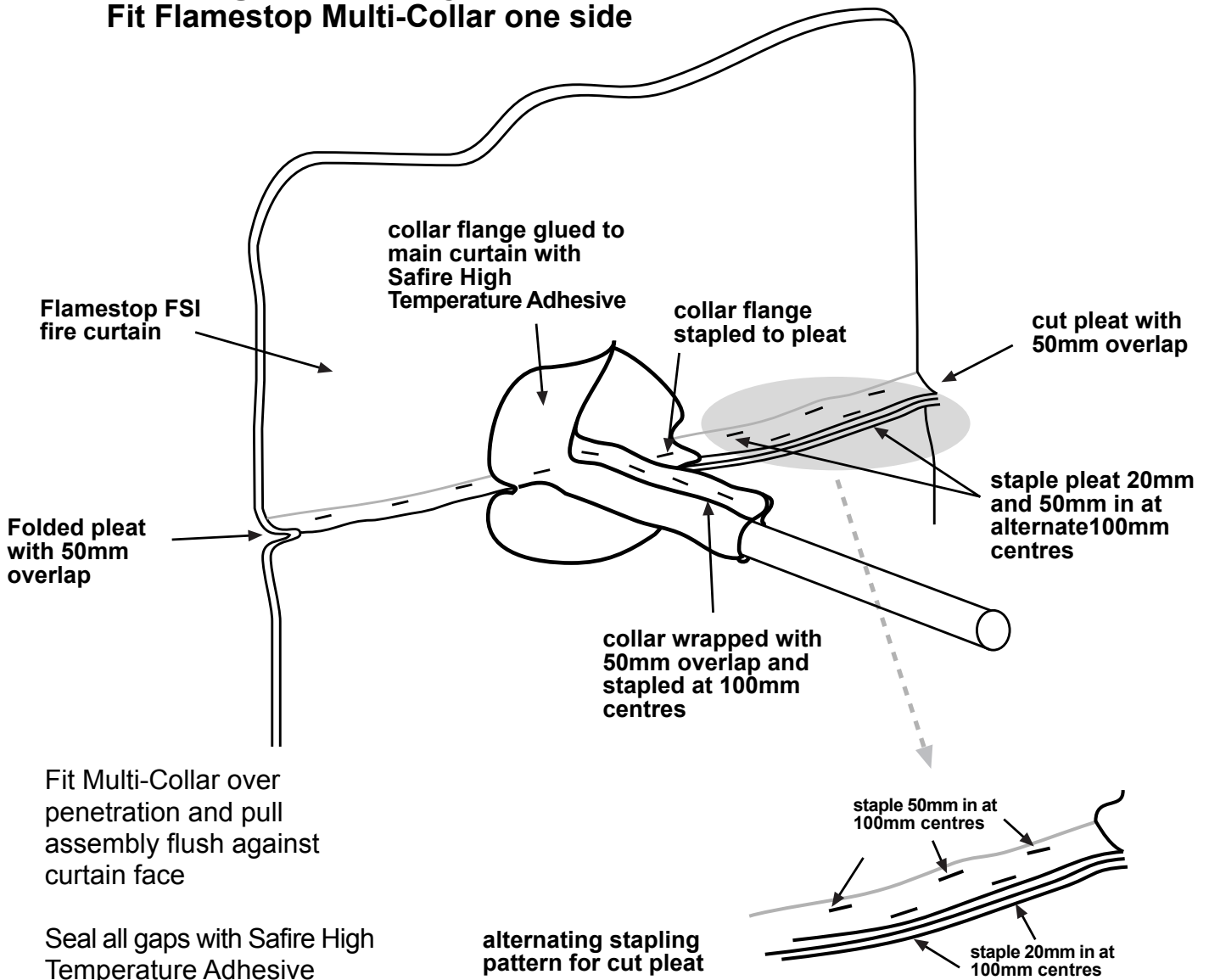
Tel. 01524 388898 Fax. 01524 383724 Web. [www.fireus.co.uk](http://www.fireus.co.uk) Email. [info@fireus.co.uk](mailto:info@fireus.co.uk)



## FLAMESTOP FSI - INSTALLATION - Penetrations

Where Flamestop FSI installation involves penetrations such as pipes, cable trays or timber trusses, special fixing details apply depending on the situation.

- 1 Steel/copper pipe, steel purlins, steel beam, ducting, cable tray:**  
Fit Flamestop Multi-Collar one side



### Fireus Ltd.

Unit 6 Thetis Road, Lune Industrial Estate, Lancaster, LA1 5QP

Tel. 01524 388898 Fax. 01524 383724 Web. [www.fireus.co.uk](http://www.fireus.co.uk) Email. [info@fireus.co.uk](mailto:info@fireus.co.uk)



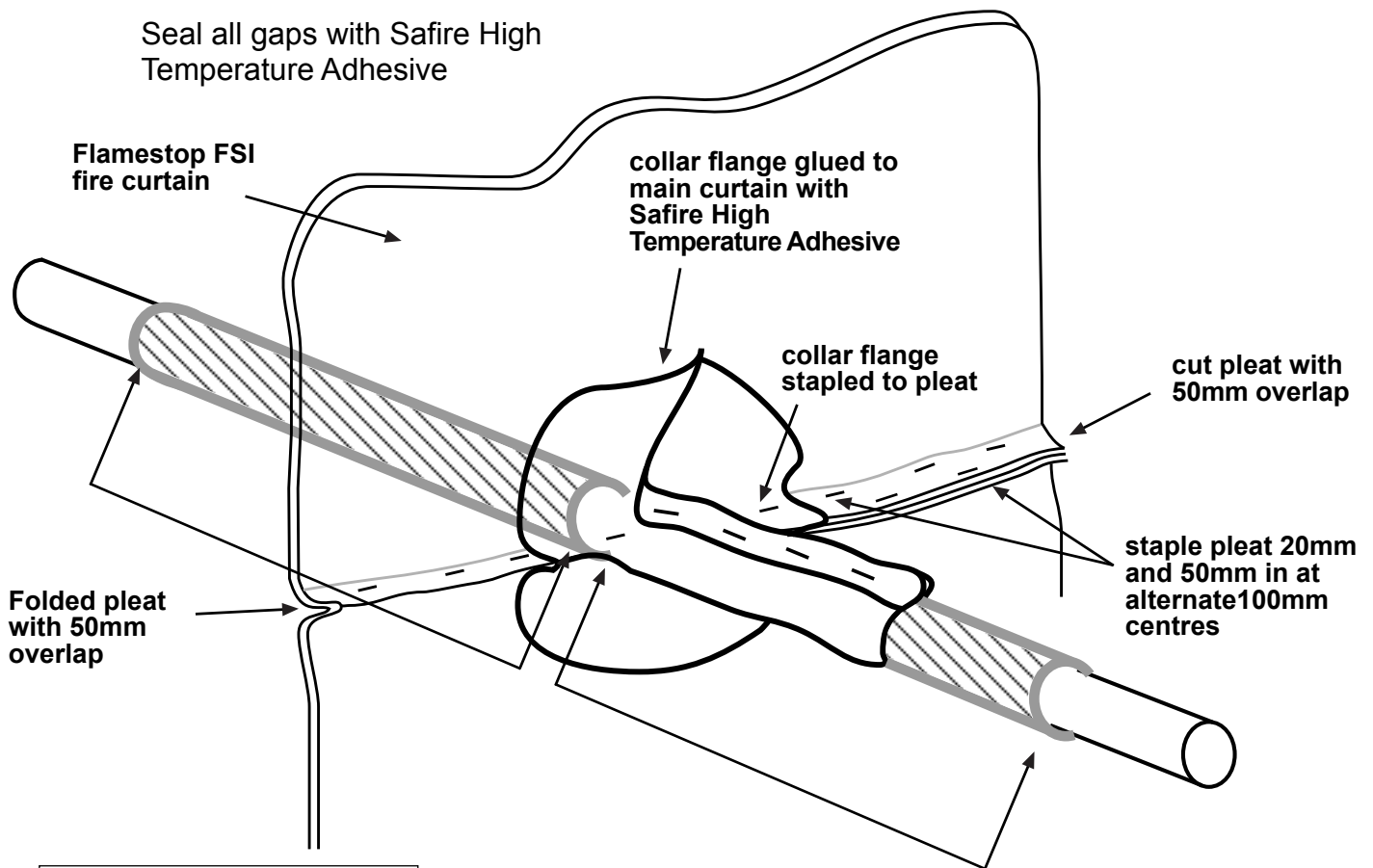
## ② PVC pipe, truss sleeve: Fit FSI sleeve 1m wide both sides of curtain and seal against curtain using Flamestop Multi-Collar on one side

Flamestop FSI must be wrapped for min 1000mm from curtain face on both sides of the curtain (see note below)

Fit Multi-Collar over Flamestop wrap and pull assembly flush against curtain face

Fix Multi-Collar as per instructions page 5

Seal all gaps with Safire High Temperature Adhesive



**Note:**

Flamestop FSI is 1.3m wide in the roll. Use a full width section to wrap pipe one side projecting through curtain for 300mm. Then wrap same from other side overlapping first FSI sleeve. This achieves a 600mm 'double wrap' section in the middle near the curtain, providing greatest insulation at critical point.

- A** wrap penetration 1m min from curtain face with Flamestop FSI, 50mm overlap stapled at 100mm centres
- B** fit multi-collar over as per instructions page 5
- C** pull Multi-Collar and Flamestop wrap flush against curtain, staple and seal

### Fireus Ltd.

Unit 6 Thetis Road, Lune Industrial Estate, Lancaster, LA1 5QP

Tel. 01524 388898 Fax. 01524 383724 Web. [www.fireus.co.uk](http://www.fireus.co.uk) Email. [info@fireus.co.uk](mailto:info@fireus.co.uk)

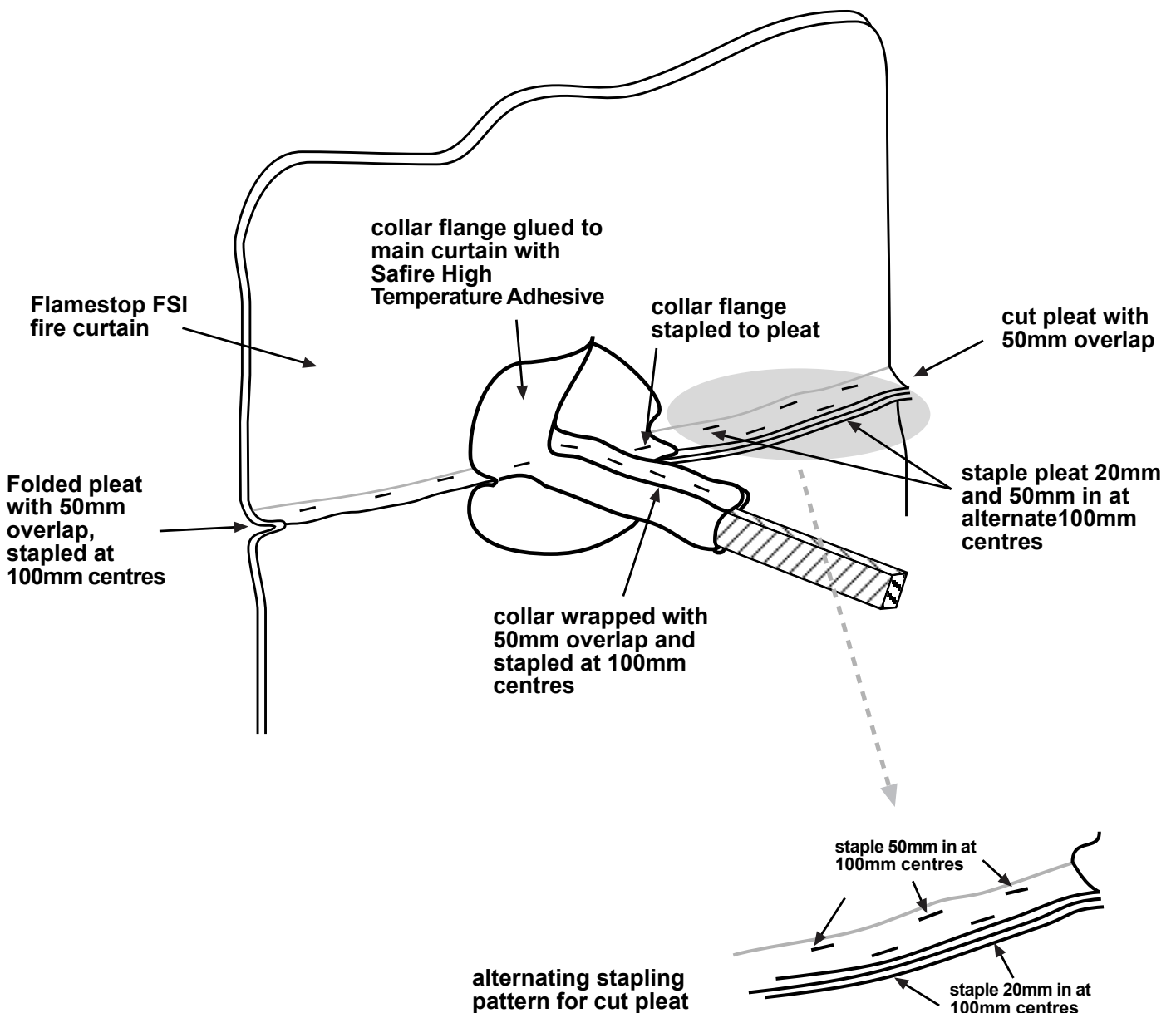


### 3 Timber (over 50mm) Fit Multi-Collar one side

Fit Multi-Collar tightly over timber truss, staple collar and pull assembly flush against curtain face

Staple and fix Multi-Coillar to curtain as per general instructions page 5

Seal all gaps with Safire High Temperature Adhesive



#### Fireus Ltd.

Unit 6 Thetis Road, Lune Industrial Estate, Lancaster, LA1 5QP

Tel. 01524 388898 Fax. 01524 383724 Web. [www.fireus.co.uk](http://www.fireus.co.uk) Email. [info@fireus.co.uk](mailto:info@fireus.co.uk)



#### 4 Timber (under 50mm)

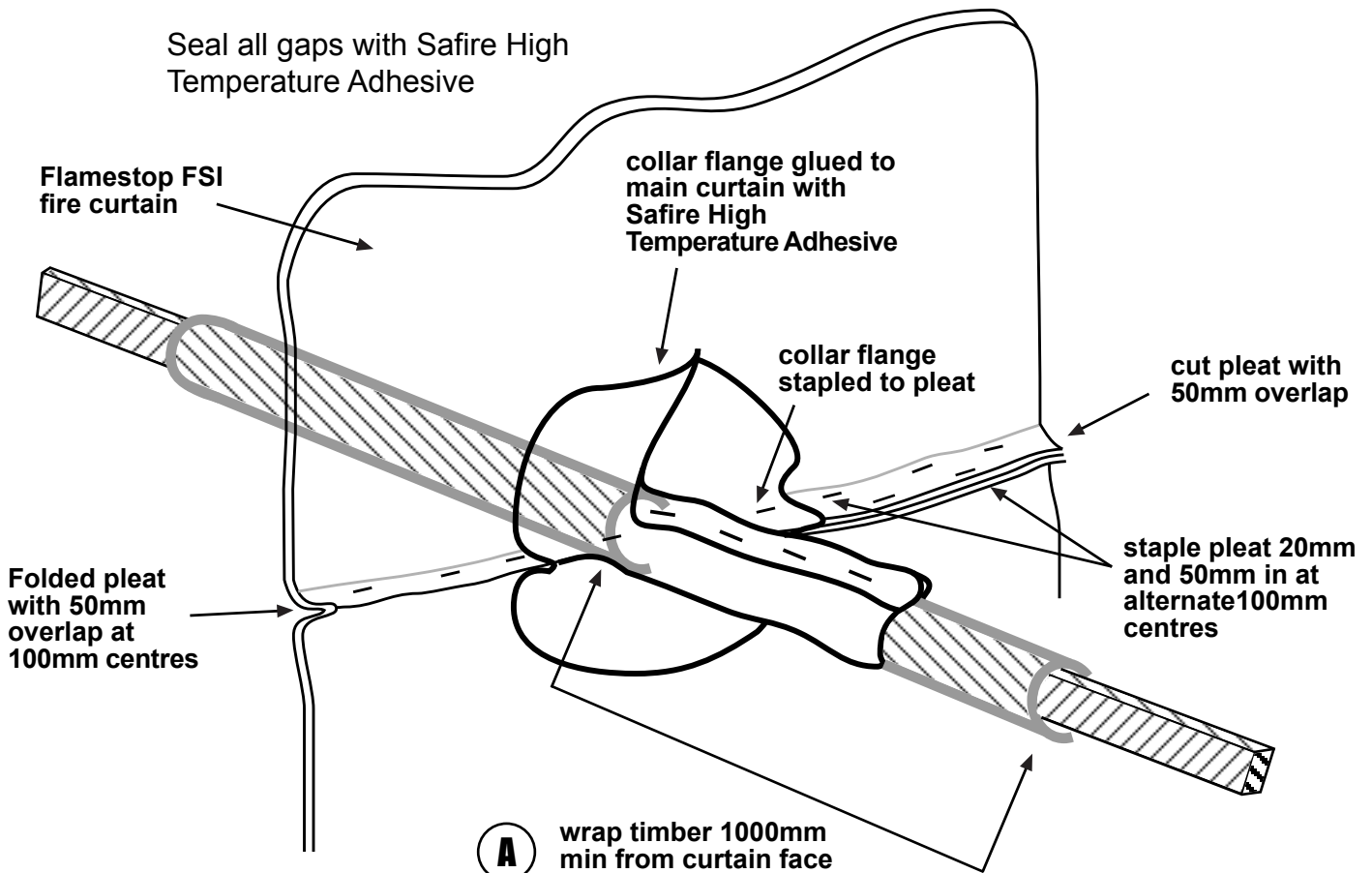
Fit FSI sleeve 1m wide wrapped around truss both sides and seal against curtain using Multi-Collar one side

Wrap timber truss min 1000mm from curtain BOTH SIDES with Flamestop FSI, overlapped by 50mm and stapled at 100mm centres (see fitting note below)

Fix Multi-Collar over FSI wrapped timber, staple collar and pull assembly flush against Flamestop curtain on one side

Staple and fix Multi-Collar to curtain

Seal all gaps with Safire High Temperature Adhesive



Note:  
 Flamestop FSI is 1.3m wide in the roll. Use a full width section to wrap pipe one side projecting through curtain for 300mm. Then wrap same from other side overlapping first FSI sleeve. This achieves a 600mm 'double wrap' section in the middle near the curtain, providing greatest insulation at critical point.

- A** wrap timber 1000mm min from curtain face with Flamestop FSI, 50mm overlap stapled at 100mm centres
- B** fit multi-collar over as per instructions page 5
- C** pull Multi-Collar and Flamestop wrap flush against curtain, staple and seal
- D** !! IMPORTANT !! repeat for other side of fire curtain. Timber must be wrapped both sides with Flamestop FSI and fixed to curtain with Multi-Collars

#### Fireus Ltd.

Unit 6 Thetis Road, Lune Industrial Estate, Lancaster, LA1 5QP

Tel. 01524 388898 Fax. 01524 383724 Web. www.fireus.co.uk Email. info@fireus.co.uk





## 5 Cable Trays

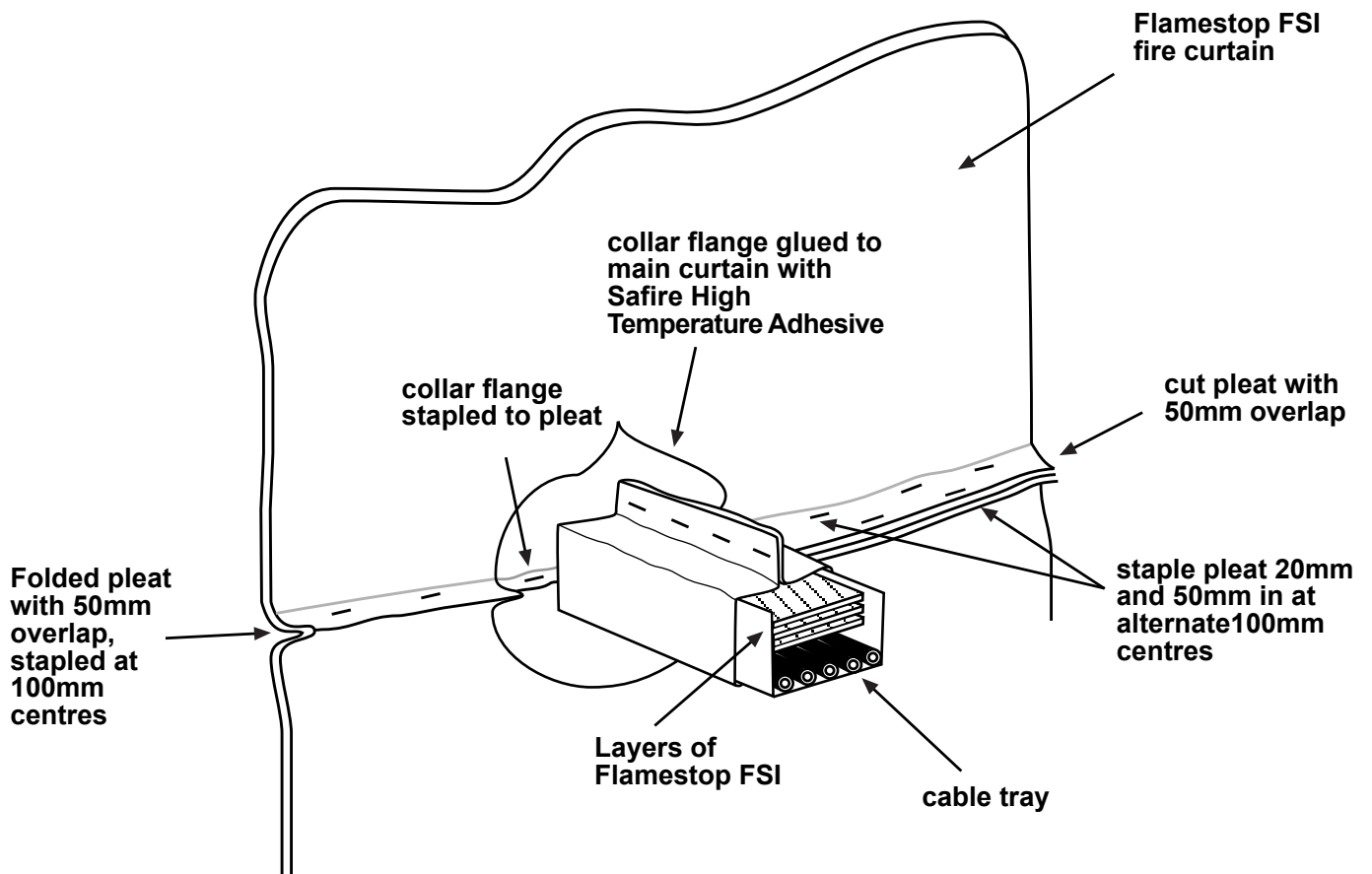
### Fit Multi-Collar one side

Cable tray should be 'padded out' with layers of Flamestop FSI cut to fit and fill space over cables to tray top.

Fit Multi-Collar around cable tray and fix and staple collar tightly over tray at 100mm centres

Pull collar firmly back to main curtain and staple and seal collar flange to curtain

Seal any gaps with Safire High Temperature Adhesive



### Fireus Ltd.

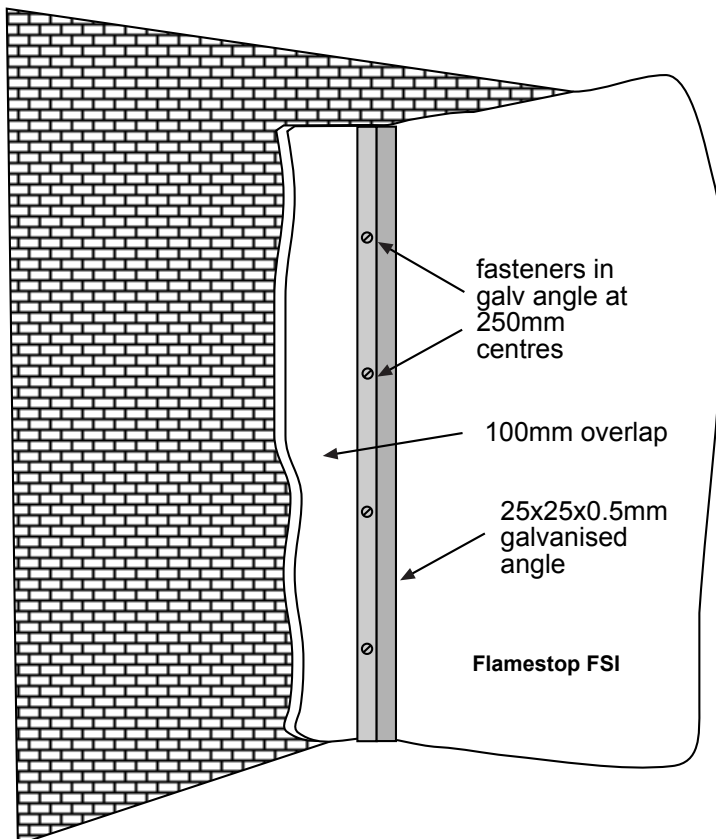
Unit 6 Thetis Road, Lune Industrial Estate, Lancaster, LA1 5QP

Tel. 01524 388898 Fax. 01524 383724 Web. [www.fireus.co.uk](http://www.fireus.co.uk) Email. [info@fireus.co.uk](mailto:info@fireus.co.uk)

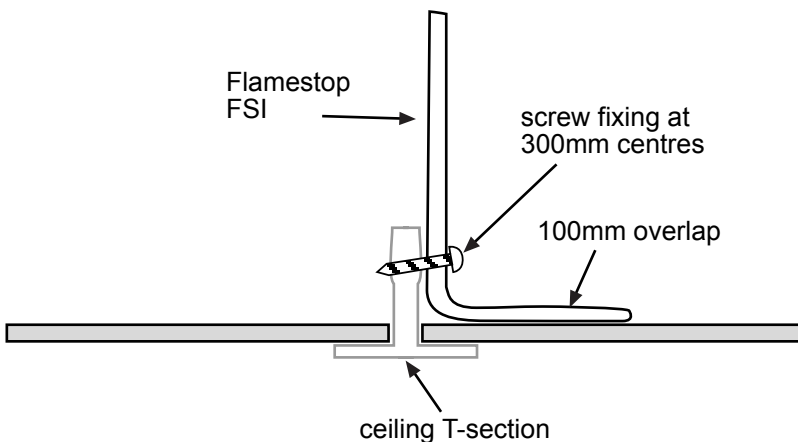
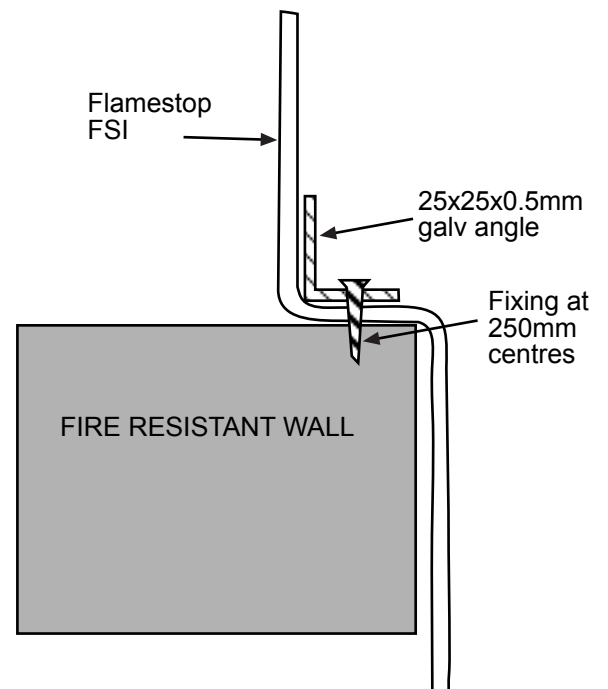


## FLAMESTOP FSI - INSTALLATION - Other Fitting Details

### 6 Fixing to Side Wall



### 7 Fixing to Fire Resistant Wall



### 8 Fixing to Suspended Ceiling

#### Fireus Ltd.

Unit 6 Thetis Road, Lune Industrial Estate, Lancaster, LA1 5QP

Tel. 01524 388898 Fax. 01524 383724 Web. [www.fireus.co.uk](http://www.fireus.co.uk) Email. [info@fireus.co.uk](mailto:info@fireus.co.uk)